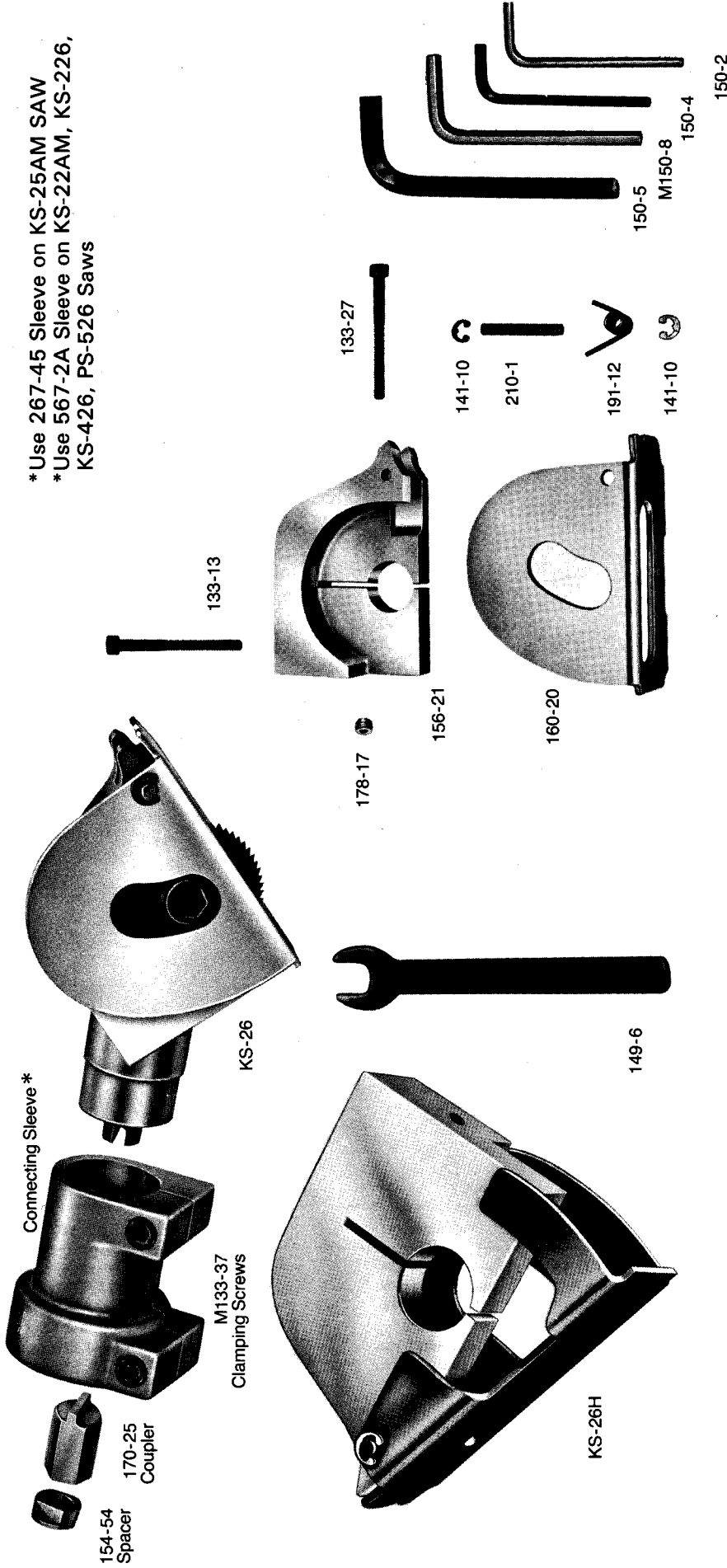




Component Parts of KS-26 Saw Unit



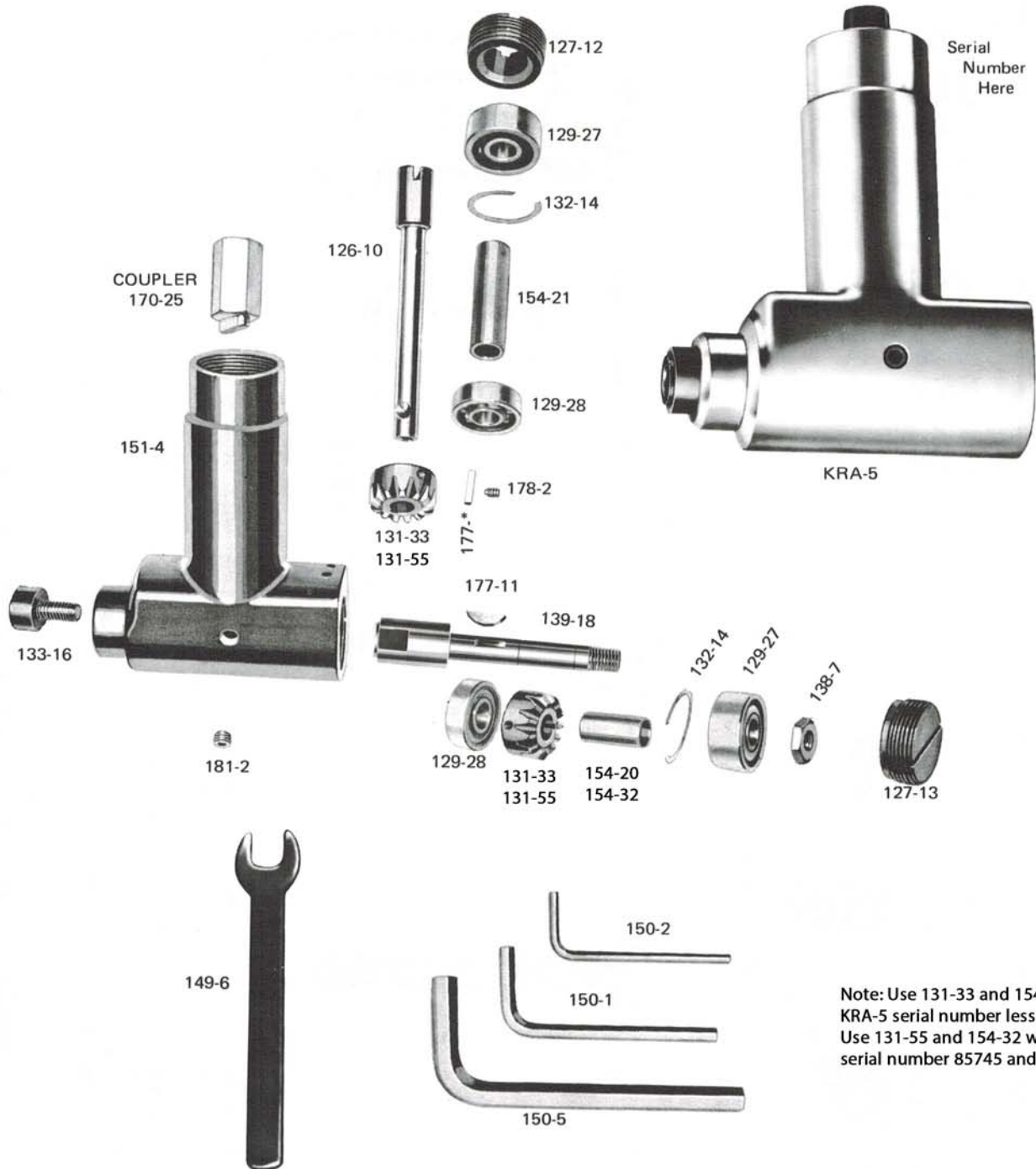
* Use 267-45 Sleeve on KS-25AM SAW
 * Use 567-2A Sleeve on KS-22AM, KS-226, KS-426, PS-526 Saws

| Part No. | Description | Part No. | Description | Part No. | Description |
|----------|-----------------------|----------|----------------------|----------|----------------------------------|
| 133-13 | Socket Head Cap Screw | 150-4 | 5/32" Socket Key | 178-17 | Set Screw |
| 133-27 | Clamping Screw | 150-5 | 5/16" Socket Key | 191-12 | Coil Spring |
| M133-37 | Clamping Screw | M150-8 | 5MM Socket Key | 210-1 | Guard Pin |
| 141-10 | Retaining Ring | 154-54 | Spacer | 267-45 | Connecting Sleeve |
| 149-6 | Spindle Wrench | 156-21 | Saw Body | 268-20 | KS-26H Saw Body & Guard Assembly |
| 150-2 | 1/8" Socket Key | 160-20 | Saw Guard | 567-2A | Connecting Sleeve |
| | | 170-25 | Safety Shear Coupler | | |

THE KETT TOOL COMPANY
 5055 Madison Road • Cincinnati, Ohio 45227 • (513) 271-0333

COMPONENT PARTS FOR KRA-5 GEARED ANGLE HEAD

s/n 15241 & higher



Note: Use 131-33 and 154-20 with KRA-5 serial number less than 85744
Use 131-55 and 154-32 with KRA-5 serial number 85745 and greater.

| Part No. | Description | Part No. | Description | Part No. | Description |
|----------|-----------------|----------|-----------------|----------|--|
| 126-10 | Input Spindle | 139-18 | Output Spindle | 177-* | Key (See serial number on neck of KRA-5 above) |
| 127-12 | Retaining Screw | 149-6 | Spindle Wrench | | S/N 15240 & lower use 177-7 square key. |
| 127-13 | Retaining Screw | 150-1 | 3/16 Socket Key | | S/N 15241 & higher use 177-11 Woodruff Key |
| 129-27 | Ball Bearing | 150-2 | 1/8 Socket Key | 178-2 | Socket Head Set Screw |
| 129-28 | Ball Bearing | 150-5 | 5/16 Socket Key | 181-2 | Screw Plug |
| 131-33 | Mitre Gear | 151-4 | Housing | | |
| 131-55 | Mitre Gear | 154-20 | Sleeve | | |
| 132-14 | Shim | 154-32 | Sleeve | | |
| 133-14 | Clamping Screw | 154-21 | Sleeve | | |
| 133-16 | Spindle Bolt | 170-25 | Coupler | | |
| 138-7 | Jam Nut | 177-11 | Woodruff Key | | |