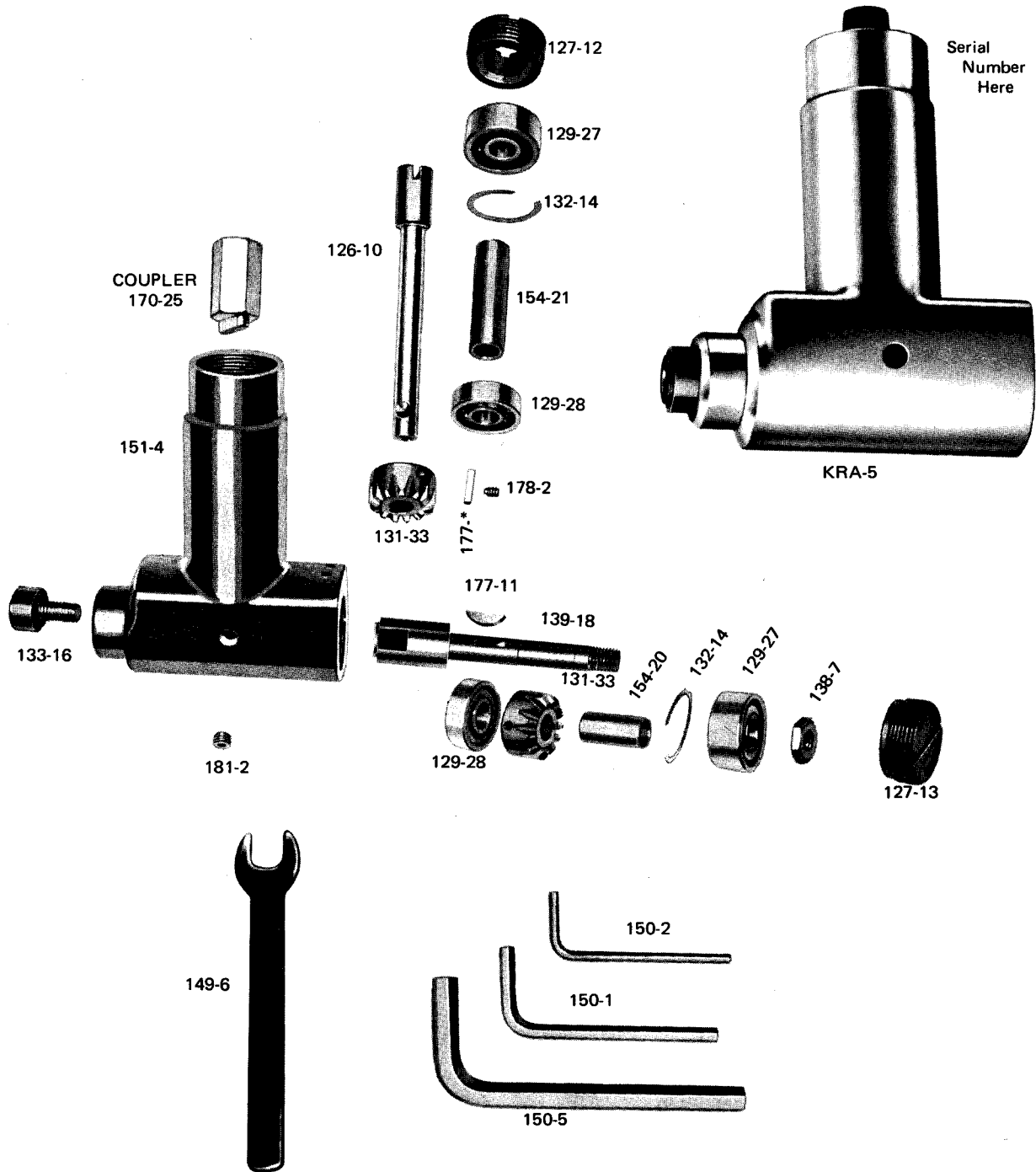


COMPONENT PARTS FOR KRA-5 GEARED ANGLE HEAD



Part No.	Description	Part No.	Description	Part No.	Description
126-10	Input Spindle	139-18	Output Spindle	177-*	Key (See serial number on neck of KRA-5 above)
127-12	Retaining Screw	149-6	Spindle Wrench		S/N 15240 & lower use
127-13	Retaining Screw	150-1	3/16 Socket Key		177-7 Square Key,
129-27	Ball Bearing	150-2	1/8 Socket Key		S/N 15241 & higher use
129-28	Ball Bearing	150-5	5/16 Socket Key		177-11 Woodruff Key
131-33	Mitre Gear	151-4	Housing		Woodruff Key
132-14	Shim	154-20	Sleeve	177-11	Woodruff Key
133-14	Clamping Screw	154-21	Sleeve	178-2	Socket Head Set Screw
133-16	Spindle Bolt	170-25	Coupler	181-2	Screw Plug
138-7	Jam Nut				