



THE KETT TOOL COMPANY 5055 Madison Rd. - Cincinnati, Ohio 45227

Phone 513-271-0333 Fax 513-271-5318 www.kett-tool.com

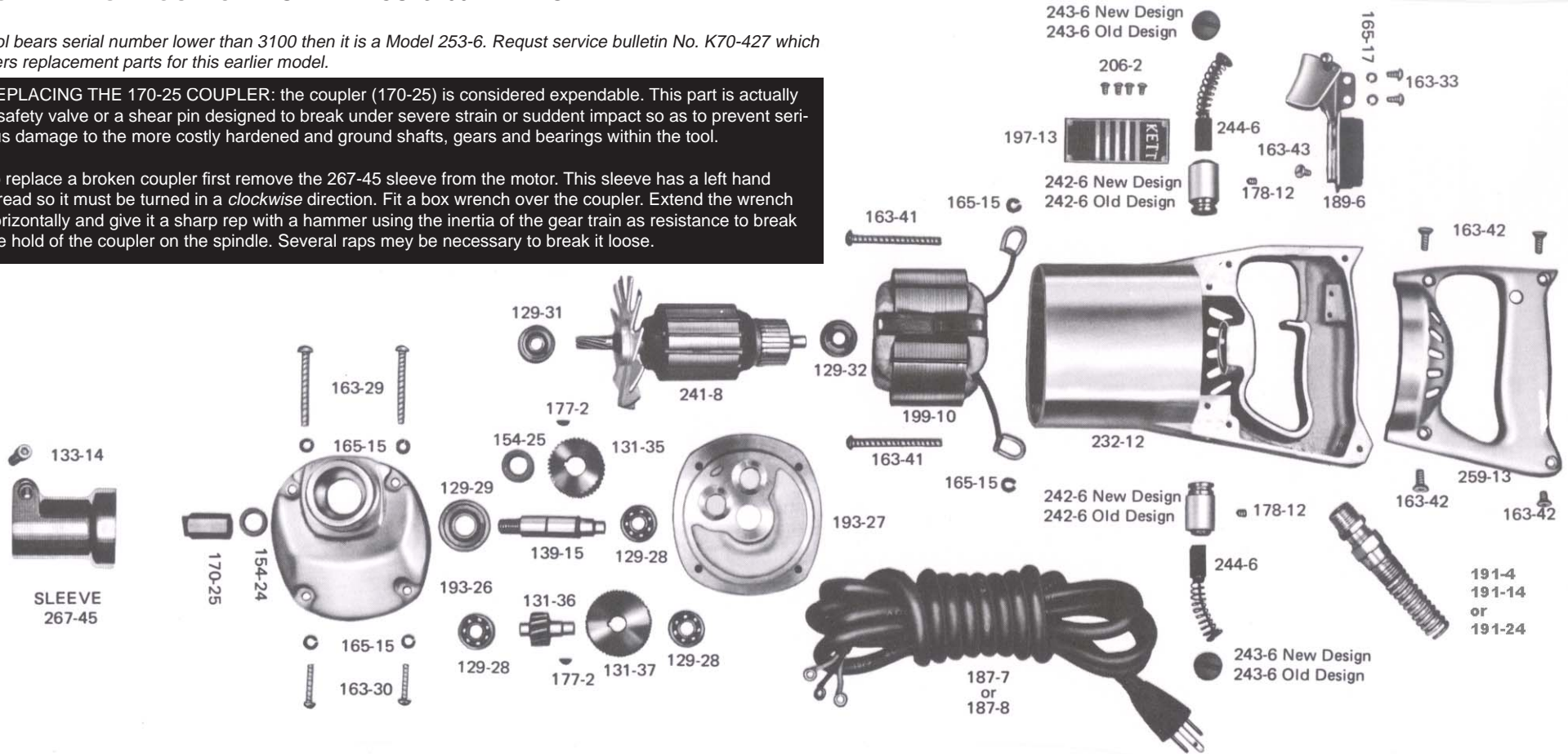
COMPONENT PARTS OF 3/8" CAPACITY AC/DC POWER UNIT

MODEL NO. 253-10 SERIAL NOS. 3100 AND HIGHER

If tool bears serial number lower than 3100 then it is a Model 253-6. Request service bulletin No. K70-427 which covers replacement parts for this earlier model.

REPLACING THE 170-25 COUPLER: the coupler (170-25) is considered expendable. This part is actually a safety valve or a shear pin designed to break under severe strain or sudden impact so as to prevent serious damage to the more costly hardened and ground shafts, gears and bearings within the tool.

To replace a broken coupler first remove the 267-45 sleeve from the motor. This sleeve has a left hand thread so it must be turned in a *clockwise* direction. Fit a box wrench over the coupler. Extend the wrench horizontally and give it a sharp rap with a hammer using the inertia of the gear train as resistance to break the hold of the coupler on the spindle. Several raps may be necessary to break it loose.



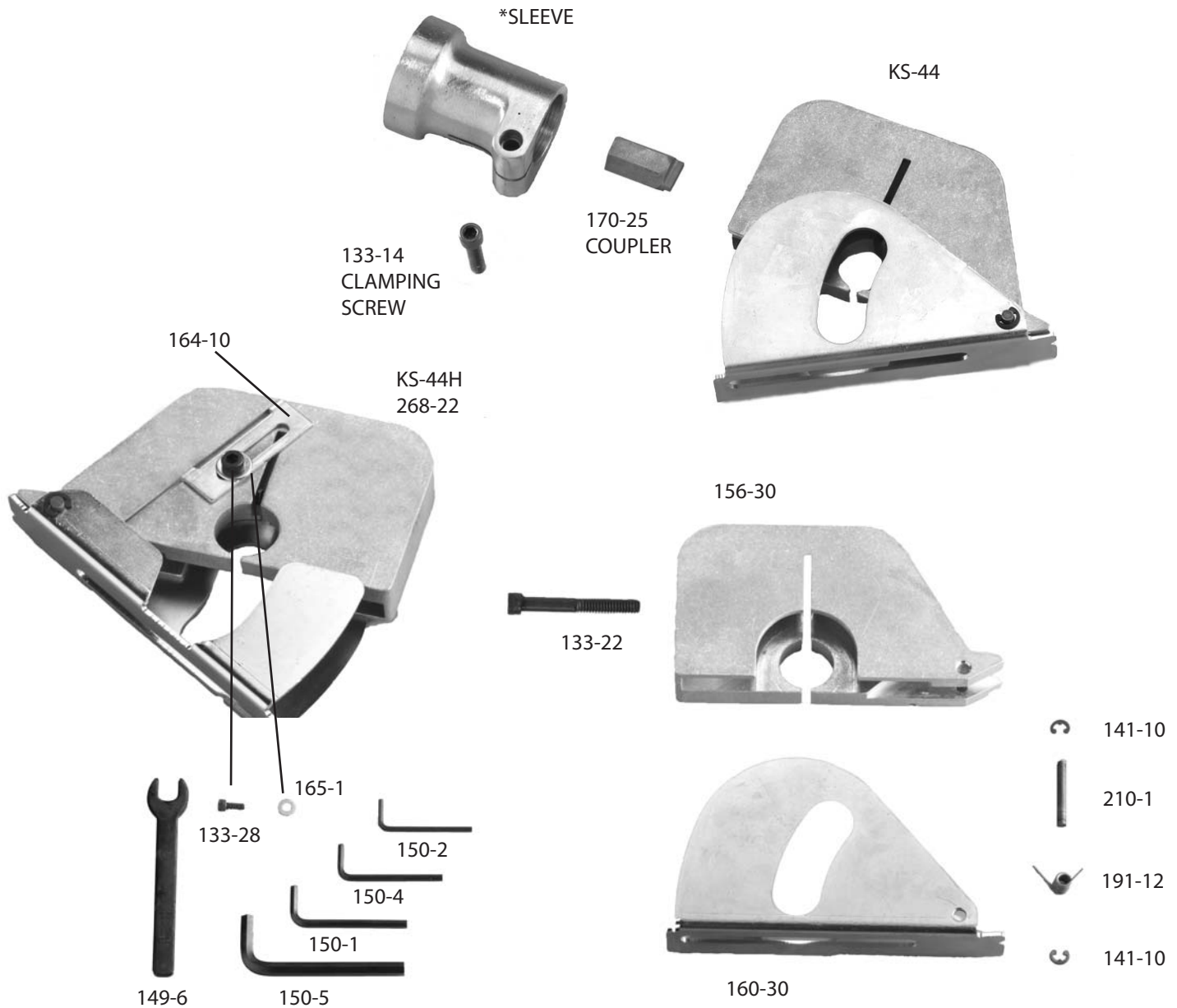
Part #	Description	Part #	Description	Part #	Description	Part #	Description
129-28	Ball Bearing	163-33	Switch Screw	191-14	Strain Reliever (1/4" Thread)	242-6	Brush Holder - New Design With Plastic Internal Thread
129-29	Front Spindle Bearing	163-41	Field Assembly Screw	191-24	Plastic Strain Reliever (3/8" Thread)		Old Design With Brass External Thread
129-31	Front Armature Bearing	163-42	Switch Cover Screw		Serial number 31372 and later	243-6	Brush Cap - New Design Plug Shape With External Thread
129-32	Rear Armature Bearing	163-43	Binding Head Screw	193-26	Gear Case		Old Design - Cup Shape With Internal Thread
131-35	Spindle Gear	165-15	Split Lock Washer	199-8	Field - 230 Volts	244-6	Brush and Spring Assembly
131-36	Intermediate Pinion	165-17	Lock Washer	199-10	Field - 115 Volts	259-13	Switch Cover
131-37	Intermediate Gear	170-25	Coupler	206-2	Drive Screw	267-45	Connecting Sleeve
133-14	Clamping Screw	177-2	Pinion Key	232-12	Motor Case		
139-15	Spindle	178-12	Brush Holder Screw	241-8	Armature - 115 Volts		
154-24	Spacer	187-7	Electric Cord (.042 Dia.) & Plug	241-9	Armature - 230 Volts		
154-25	Gear Spacer	187-8	Electric Cord (.328 Dia.) & Plug				
163-29	Gear Case Screw	189-6	Switch				
163-30	Gear Case Screw	191-4	Strain Reliever (3/8" Thread)				



COMPONENT PARTS OF KS-44 SAW UNIT

*Use 267-45 Sleeve on KS-44AM Saw

*Use 567-2A Sleeve on KS-444 and PS-544 Saws



Part No. Description	Part No. Description	Part No. Description	Part No. Description
133-14 Clamping Screw	150-1 3/16" Socket Key	160-30 Saw Guard	267-45 Sleeve
133-22 Screw	150-2 1/8" Socket Key	164-10 Depth Stop	268-22 KS-44H Guard and Body Assembly
133-28 Screw	150-4 5/32" Socket Key	165-1 Washer	567-2A Sleeve
141-10 Retaining Ring (2)	150-5 5/16" Socket Key	170-25 Coupler	KS-44 Saw Unit Complete
149-6 Spindle Wrench	156-30 Saw Body	210-1 Guard Pin	

THE KETT TOOL CO. 5055 Madison Road Cincinnati, Ohio 45227

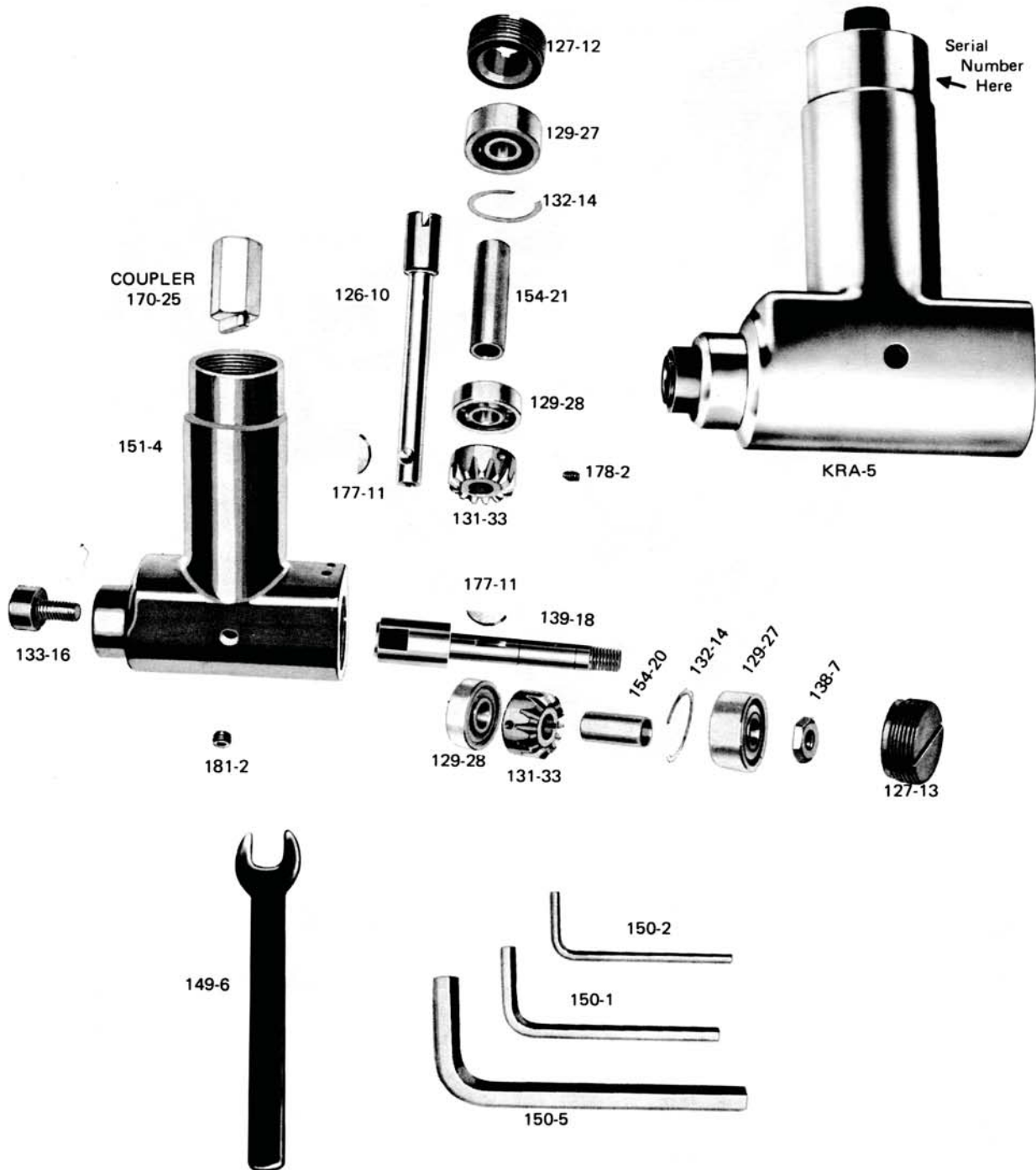
513-271-0333

Fax 513-271-5318

e-mail info@kett-tool.com www.kett-tool.com

COMPONENT PARTS FOR KRA-5 GEARED ANGLE HEAD

(Serial Number 15241 & Higher)



Part No.	Description	Part No.	Description	Part No.	Description
126-10	Input Spindle	133-16	Spindle Bolt	151-4	Housing
127-12	Retaining Screw	138-7	Jam Nut	154-20	Sleeve
127-13	Retaining Screw	139-18	Output Spindle	154-21	Sleeve
129-27	Ball Bearing	149-6	Spindle Wrench	170-25	Coupler
129-28	Ball Bearing	150-1	3/16 Socket Key	177-11	Woodruff Key
131-33	Mitre Gear	150-2	1/8 Socket Key	178-2	Socket Head Set Screw
132-14	Shim	150-5	5/16 Socket Key	181-2	Screw Plug
133-14	Clamping Screw				

KETT TOOL CO. 5055 Madison Road
 TELEPHONE: (513) 271-0333

CINCINNATI, OHIO 45227-1494
 FAX: (513) 271-5318