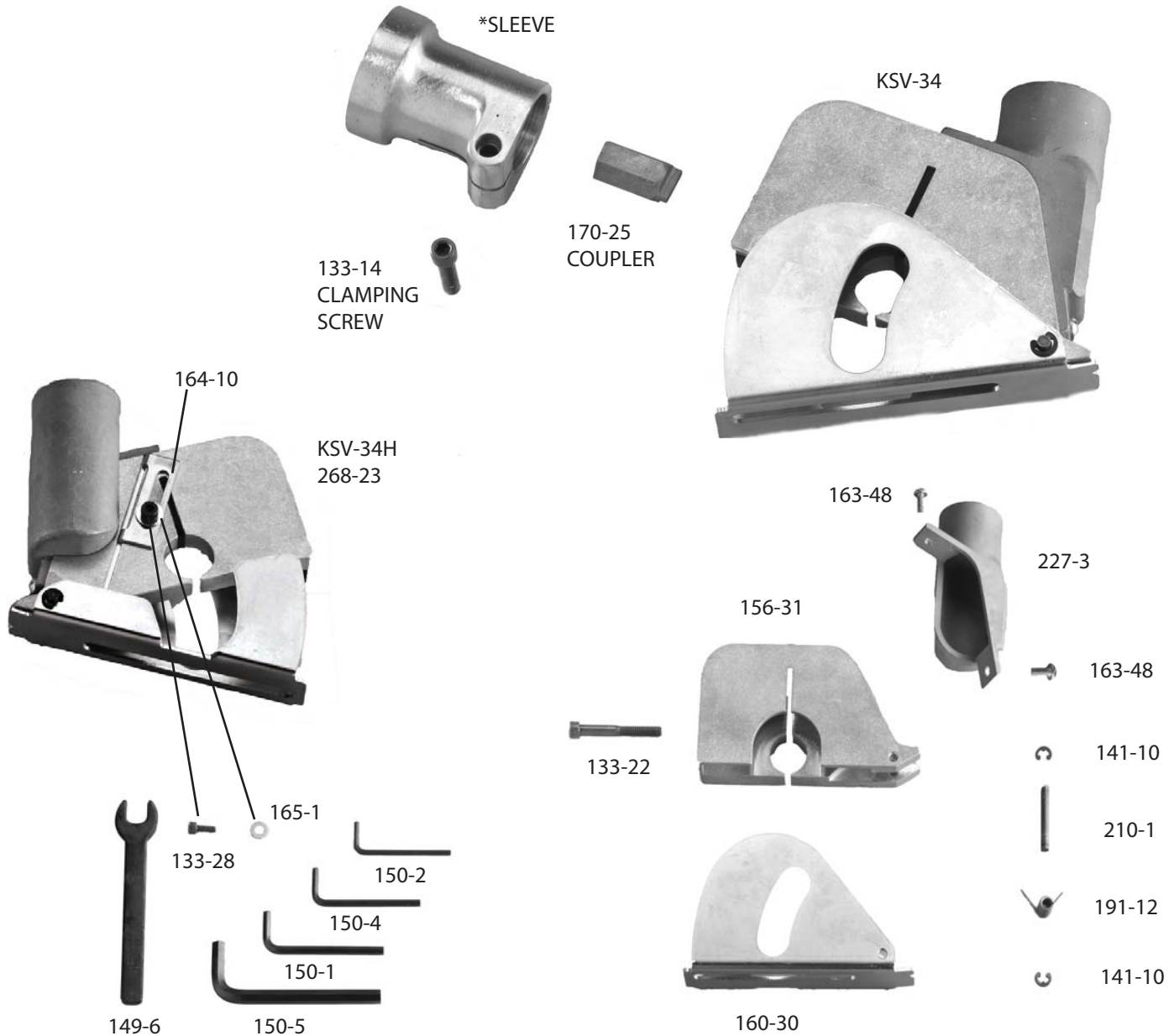




# COMPONENT PARTS OF KSV-34 SAW UNIT

\*Use 267-45 Sleeve on KSV-34AM Saw

\*Use 567-2A Sleeve on KSV-434 and PSV-534 Saws



Part No.	Description	Part No.	Description	Part No.	Description	Part No.	Description
133-14	Clamping Screw	150-2	1/8" Socket Key	164-10	Depth Stop	267-45	Sleeve
133-22	Screw	150-4	5/32" Socket Key	165-1	Washer	268-23	KSV-34H Guard and Body Assembly
133-28	Screw	150-5	5/16" Socket Key	170-25	Coupler	567-2A	Sleeve
141-10	Retaining Ring (2)	156-31	Vacuum Saw Body	210-1	Guard Pin	KSV-34	Saw Unit Complete
149-6	Spindle Wrench	160-30	Saw Guard	227-3	Vacuum Head		
150-1	3/16" Socket Key	163-48	Screw (2)				

THE KETT TOOL CO. 5055 Madison Road Cincinnati, Ohio 45227

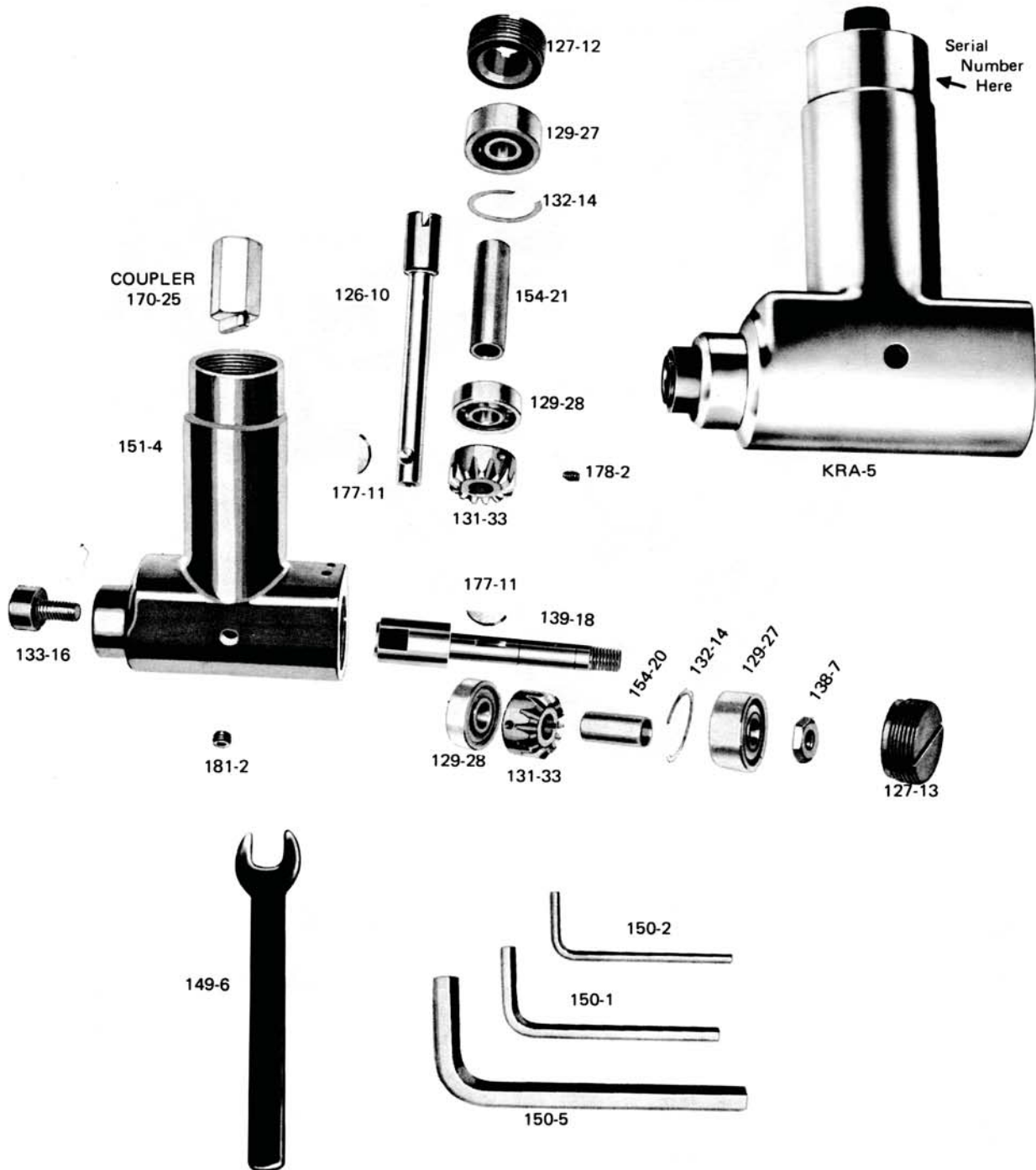
513-271-0333

Fax 513-271-5318

e-mail info@kett-tool.com www.kett-tool.com

# COMPONENT PARTS FOR KRA-5 GEARED ANGLE HEAD

(Serial Number 15241 & Higher)



Part No.	Description	Part No.	Description	Part No.	Description
126-10	Input Spindle	133-16	Spindle Bolt	151-4	Housing
127-12	Retaining Screw	138-7	Jam Nut	154-20	Sleeve
127-13	Retaining Screw	139-18	Output Spindle	154-21	Sleeve
129-27	Ball Bearing	149-6	Spindle Wrench	170-25	Coupler
129-28	Ball Bearing	150-1	3/16 Socket Key	177-11	Woodruff Key
131-33	Mitre Gear	150-2	1/8 Socket Key	178-2	Socket Head Set Screw
132-14	Shim	150-5	5/16 Socket Key	181-2	Screw Plug
133-14	Clamping Screw				

**KETT TOOL CO.** 5055 Madison Road  
 TELEPHONE: (513) 271-0333

**CINCINNATI, OHIO 45227-1494**  
 FAX: (513) 271-5318