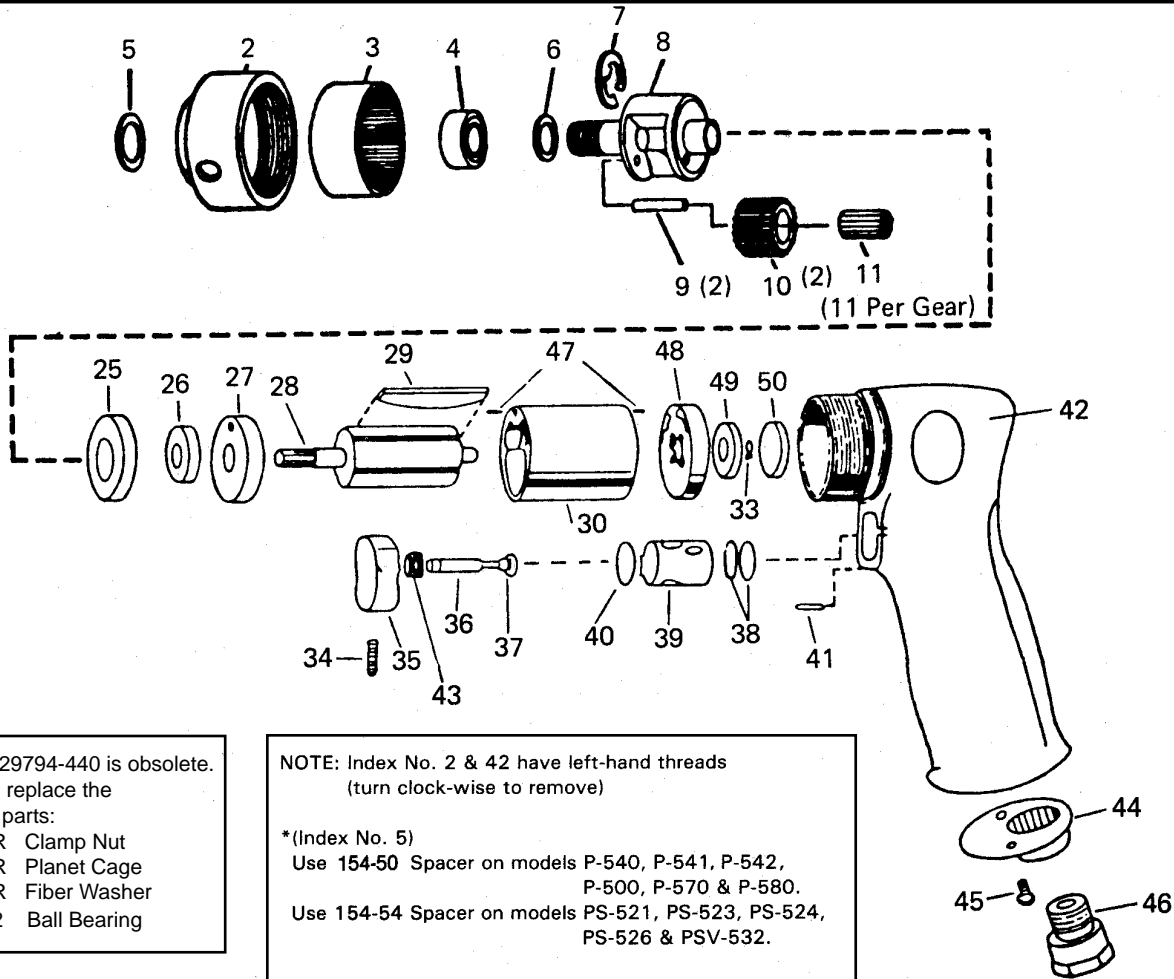




PARTS LIST FOR PNEUMATIC POWER UNITS

253-38 (SERIAL NUMBER 2001 TO 9600)

253-57 (SERIAL NUMBER 9601 & HIGHER)



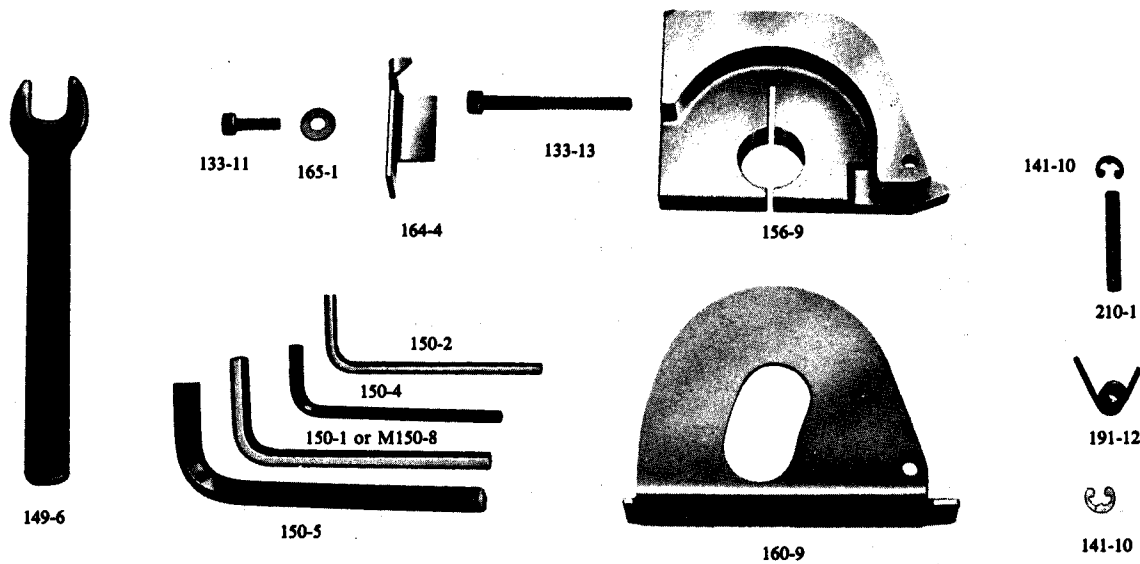
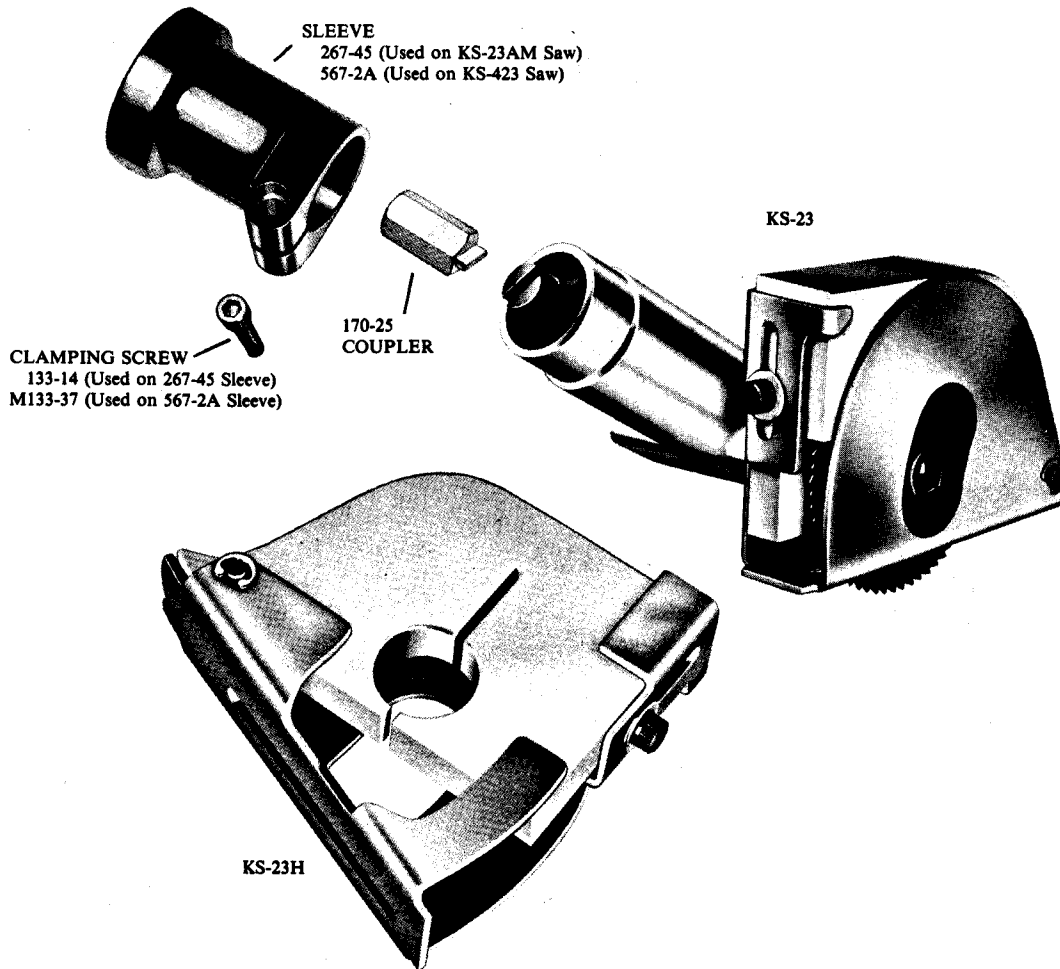
****Part #729794-440 is obsolete.**
 To repair, replace the following parts:
 729799-R Clamp Nut
 729794-R Planet Cage
 729797-R Fiber Washer
 49423-02 Ball Bearing

NOTE: Index No. 2 & 42 have left-hand threads (turn clock-wise to remove)

***(Index No. 5)**
 Use 154-50 Spacer on models P-540, P-541, P-542, P-500, P-570 & P-580.
 Use 154-54 Spacer on models PS-521, PS-523, PS-524, PS-526 & PSV-532.

INDEX NO.	PART NO.	DESCRIPTION	REQ'D TOOL	INDEX NO.	PART NO.	DESCRIPTION	REQ'D TOOL
2	729799-R	Clamp Nut (253-57)	1	29	729709	Rotor Blade	4
	729799-440	Clamp Nut (253-38)	1	30	729708	Cylinder	1
3	729798	Internal Gear	1	33	1012831	Retaining Ring	1
4	49423-02	Ball Bearing (253-57)	1	34	731928	Set Screw	1
	1008854	Ball Bearing (253-38)	1	35	731929	Trigger	1
5	154-*	Spacer	1	36	731926	Valve Stem	1
6	729797-R	Fiber Washer (253-57)	1	37	729591	O-ring	1
	729797	Fiber Washer (253-38)	1	38	729091	O-ring	2
7	729208	Ret. Ring (used only on 253-38)	1	39	731927	Valve Bushing	1
8	729794-R	Planet Cage (253-57)	1	40	729263	O-ring	1
	729794-440	Planet cage (253-38) obsolete**	1	41	731930	Pin	1
9	729796-440	Planet Pin	2	42	731923-440	Motor Housing	1
10	729795	Planet Gear (incl. 729808 Needle Rollers)	2	43	731925	Valve Spring	1
11	729808	Needle Rollers (see 729795 Planet Gear)	22	44	731922	Housing End Cap	1
25	1008212	Ball Bearing	1	45	731921	Screw	2
26	1001532	Ball Bearing	1	46	731920	Air Inlet	1
27	729793	Front Plate	1	47	729707	Dowel Pin	2
28	729792	Rotor	1	48	729791	Rear Plate	1
				49	729012	Ball Bearing	1
				50	729178	Bearing Seal	1

COMPONENT PARTS OF KS-23 SAW UNIT



Part No.	Description	Part No.	Description	Part No.	Description
133-11	Socket Head Cap Screw	150-2	1/8" Socket Key	165-1	Spacer Washer
133-13	Clamping Screw for 156-9	150-4	5/32" Socket Key	170-25	Safety Shear Coupler
133-14	Clamping Screw for 267-45	150-5	5/16" Socket Key	191-12	Coil Spring
M133-37	Clamping Screw for 567-2A	M150-8	5MM Socket Key	210-1	Guard Pin
141-10	Retaining Ring	156-9	Saw Body	267-45	Connecting Sleeve for KS-23AM Saw
149-6	Spindle Wrench	160-9	Saw Guard	268-9	KS-23H Saw Body & Guard Assembly
150-1	3/16" Socket Key	164-4	Depth Stop	567-2A	Connecting Sleeve for KS-423 Saw

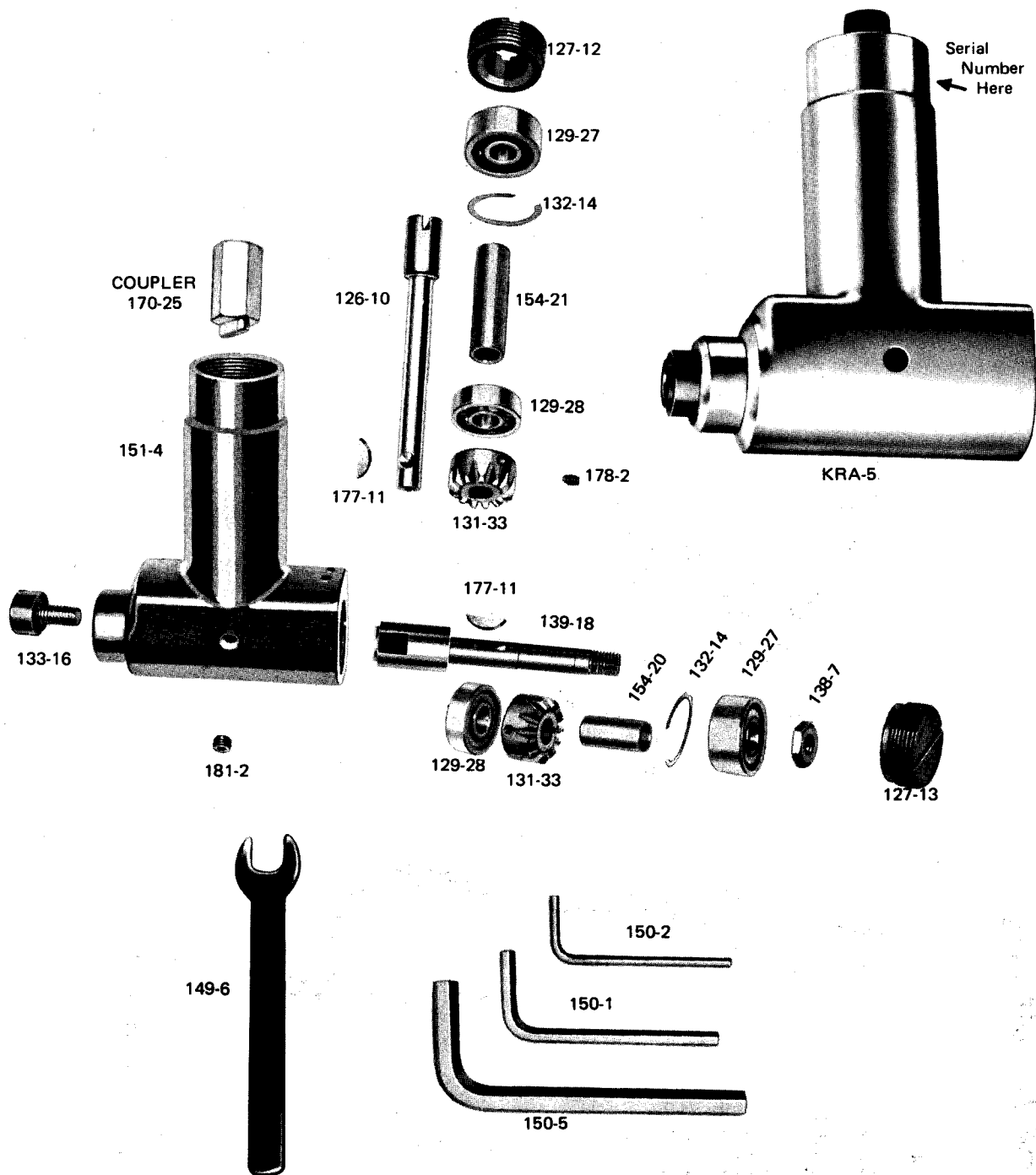
KETT TOOL CO.

5055 Madison Road

CINCINNATI, OHIO 45227-1494

COMPONENT PARTS FOR KRA-5 GEARED ANGLE HEAD

(Serial Number 15241 & Higher)



Part No.	Description	Part No.	Description	Part No.	Description
126-10	Input Spindle	133-16	Spindle Bolt	151-4	Housing
127-12	Retaining Screw	138-7	Jam Nut	154-20	Sleeve
127-13	Retaining Screw	139-18	Output Spindle	154-21	Sleeve
129-27	Ball Bearing	149-6	Spindle Wrench	170-25	Coupler
129-28	Ball Bearing	150-1	3/16 Socket Key	177-11	Woodruff Key
131-33	Mitre Gear	150-2	1/8 Socket Key	178-2	Socket Head Set Screw
132-14	Shim	150-5	5/16 Socket Key	181-2	Screw Plug
133-14	Clamping Screw				

KETT TOOL CO. 5055 Madison Road
 TELEPHONE: (513) 271-0333

CINCINNATI, OHIO 45227-1494
 FAX: (513) 271-5318