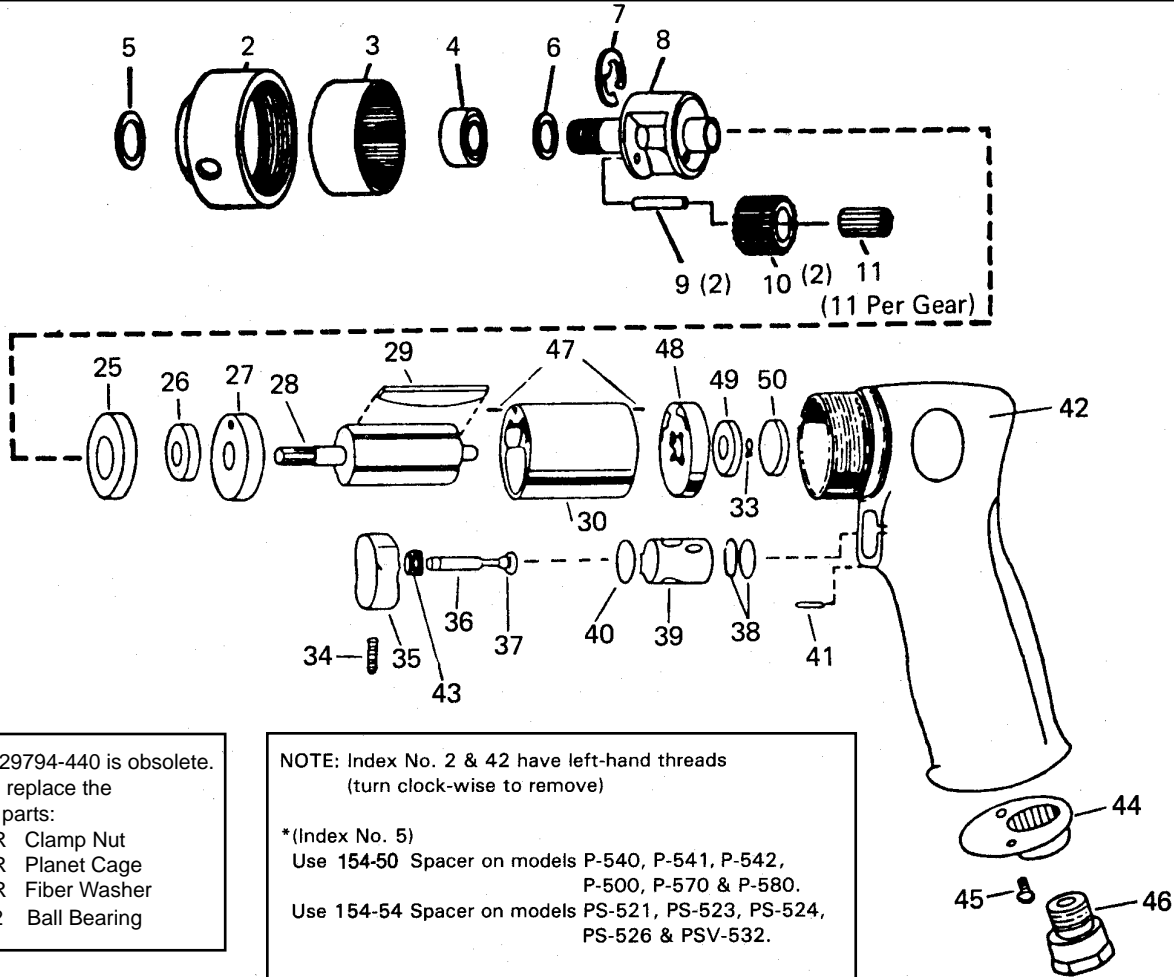




PARTS LIST FOR PNEUMATIC POWER UNITS

253-38 (SERIAL NUMBER 2001 TO 9600)

253-57 (SERIAL NUMBER 9601 & HIGHER)



****Part #729794-440 is obsolete.**
 To repair, replace the following parts:
 729799-R Clamp Nut
 729794-R Planet Cage
 729797-R Fiber Washer
 49423-02 Ball Bearing

NOTE: Index No. 2 & 42 have left-hand threads (turn clock-wise to remove)

***(Index No. 5)**
 Use 154-50 Spacer on models P-540, P-541, P-542, P-500, P-570 & P-580.
 Use 154-54 Spacer on models PS-521, PS-523, PS-524, PS-526 & PSV-532.

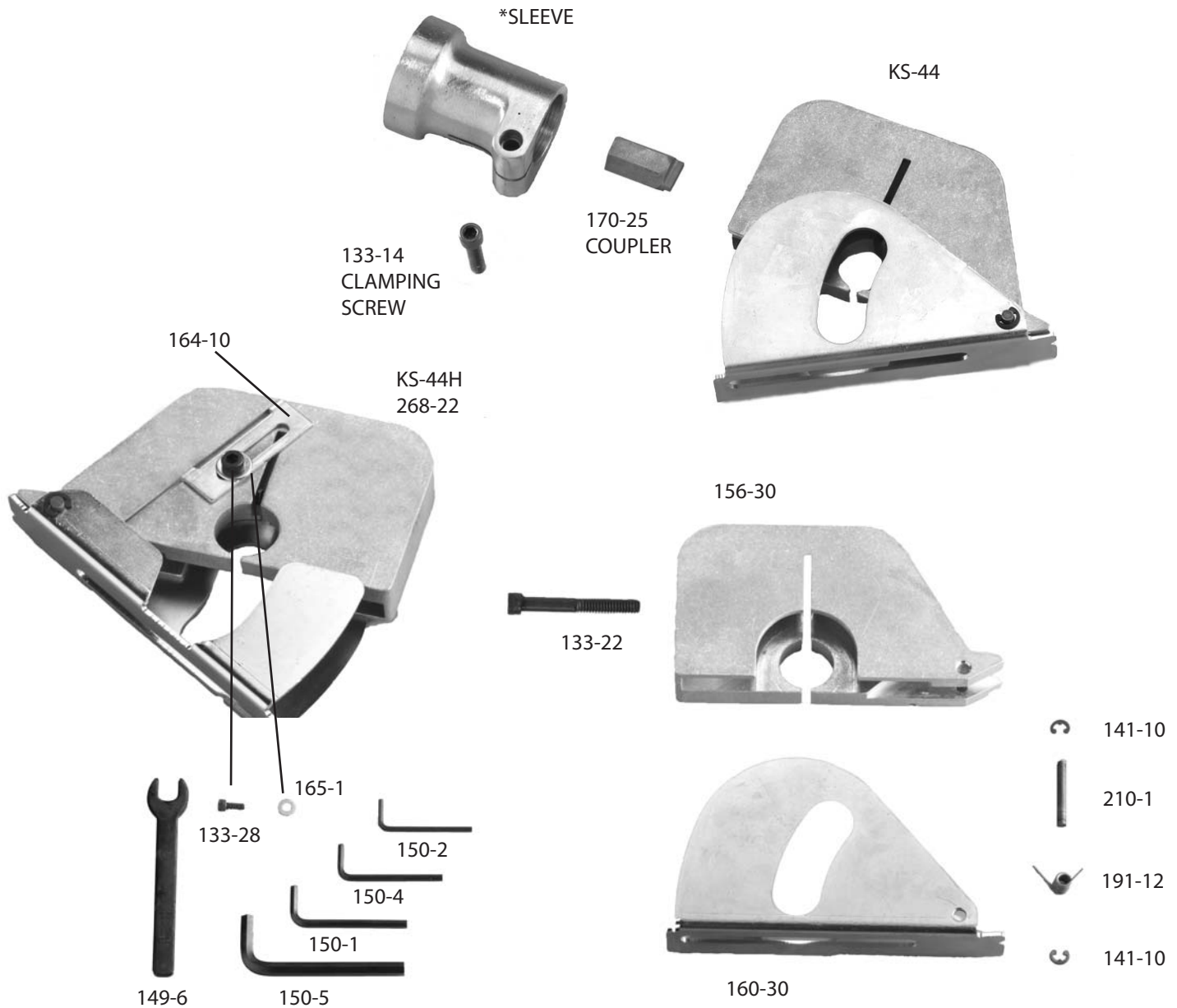
INDEX NO.	PART NO.	DESCRIPTION	REQ'D TOOL	INDEX NO.	PART NO.	DESCRIPTION	REQ'D TOOL
2	729799-R	Clamp Nut (253-57)	1	29	729709	Rotor Blade	4
	729799-440	Clamp Nut (253-38)	1	30	729708	Cylinder	1
3	729798	Internal Gear	1	33	1012831	Retaining Ring	1
4	49423-02	Ball Bearing (253-57)	1	34	731928	Set Screw	1
	1008854	Ball Bearing (253-38)	1	35	731929	Trigger	1
5	154-*	Spacer	1	36	731926	Valve Stem	1
6	729797-R	Fiber Washer (253-57)	1	37	729591	O-ring	1
	729797	Fiber Washer (253-38)	1	38	729091	O-ring	2
7	729208	Ret. Ring (used only on 253-38)	1	39	731927	Valve Bushing	1
8	729794-R	Planet Cage (253-57)	1	40	729263	O-ring	1
	729794-440	Planet cage (253-38) obsolete**	1	41	731930	Pin	1
9	729796-440	Planet Pin	2	42	731923-440	Motor Housing	1
10	729795	Planet Gear (incl. 729808 Needle Rollers)	2	43	731925	Valve Spring	1
11	729808	Needle Rollers (see 729795 Planet Gear)	22	44	731922	Housing End Cap	1
25	1008212	Ball Bearing	1	45	731921	Screw	2
26	1001532	Ball Bearing	1	46	731920	Air Inlet	1
27	729793	Front Plate	1	47	729707	Dowel Pin	2
28	729792	Rotor	1	48	729791	Rear Plate	1
				49	729012	Ball Bearing	1
				50	729178	Bearing Seal	1



COMPONENT PARTS OF KS-44 SAW UNIT

*Use 267-45 Sleeve on KS-44AM Saw

*Use 567-2A Sleeve on KS-444 and PS-544 Saws



Part No. Description	Part No. Description	Part No. Description	Part No. Description
133-14 Clamping Screw	150-1 3/16" Socket Key	160-30 Saw Guard	267-45 Sleeve
133-22 Screw	150-2 1/8" Socket Key	164-10 Depth Stop	268-22 KS-44H Guard and Body Assembly
133-28 Screw	150-4 5/32" Socket Key	165-1 Washer	567-2A Sleeve
141-10 Retaining Ring (2)	150-5 5/16" Socket Key	170-25 Coupler	KS-44 Saw Unit Complete
149-6 Spindle Wrench	156-30 Saw Body	210-1 Guard Pin	

THE KETT TOOL CO. 5055 Madison Road Cincinnati, Ohio 45227

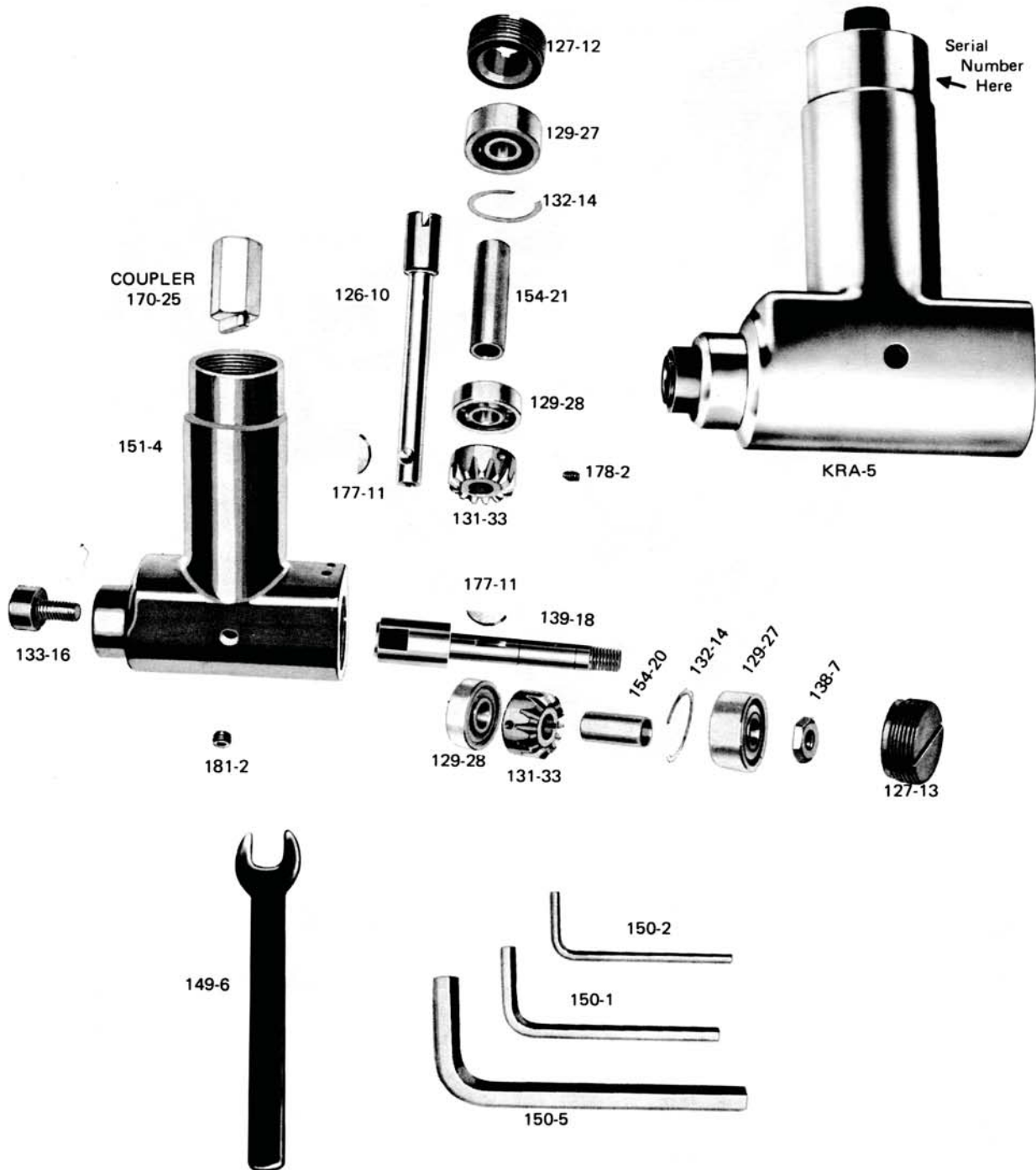
513-271-0333

Fax 513-271-5318

e-mail info@kett-tool.com www.kett-tool.com

COMPONENT PARTS FOR KRA-5 GEARED ANGLE HEAD

(Serial Number 15241 & Higher)



Part No.	Description	Part No.	Description	Part No.	Description
126-10	Input Spindle	133-16	Spindle Bolt	151-4	Housing
127-12	Retaining Screw	138-7	Jam Nut	154-20	Sleeve
127-13	Retaining Screw	139-18	Output Spindle	154-21	Sleeve
129-27	Ball Bearing	149-6	Spindle Wrench	170-25	Coupler
129-28	Ball Bearing	150-1	3/16 Socket Key	177-11	Woodruff Key
131-33	Mitre Gear	150-2	1/8 Socket Key	178-2	Socket Head Set Screw
132-14	Shim	150-5	5/16 Socket Key	181-2	Screw Plug
133-14	Clamping Screw				

KETT TOOL CO. 5055 Madison Road
 TELEPHONE: (513) 271-0333

CINCINNATI, OHIO 45227-1494
 FAX: (513) 271-5318