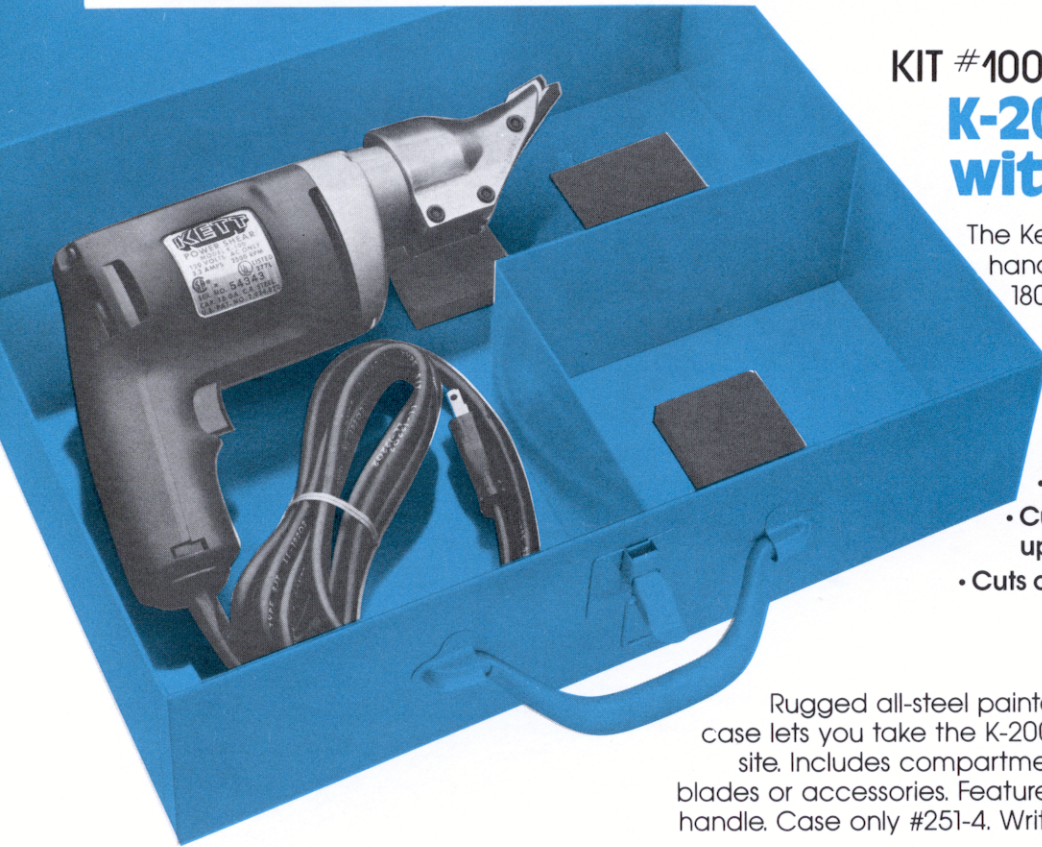




Special Kit Bulletin



KIT #100

K-200 POWER SHEAR with Carrying Case

The Kett K-200 cuts nine times faster than hand shears... cuts sheet metal at up to 180" per minute.

Features include:

- Double insulated power unit
- 120V-AC, 2500 RPM motor
- Cuts metal up to 18 gauge
- Cuts rigid plastic or sheet materials up to 3/32" thick
- Cuts curved, irregular patch pieces

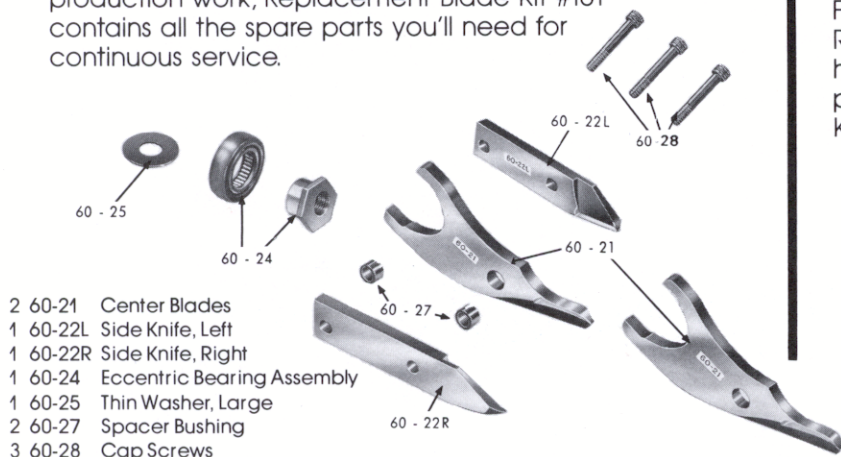
Rugged all-steel painted carrying case lets you take the K-200 to the job site. Includes compartment for extra blades or accessories. Features easy-grip handle. Case only #251-4. Write for details.



REPLACEMENT BLADE KITS AVAILABLE

KIT #101—Heavy User Kit

If you use your K-200 in hard daily use or for production work, Replacement Blade Kit #101 contains all the spare parts you'll need for continuous service.



- 2 60-21 Center Blades
- 1 60-22L Side Knife, Left
- 1 60-22R Side Knife, Right
- 1 60-24 Eccentric Bearing Assembly
- 1 60-25 Thin Washer, Large
- 2 60-27 Spacer Bushing
- 3 60-28 Cap Screws

KIT #102

Intermediate Kit

For regular daily use, keep Replacement Blade Kit #102 handy to assure maximum performance from your Kett K-200 Power Shear.



- 1 60-21 Center Blade
- 1 60-22L Side Knife, Left
- 1 60-22R Side Knife, Right
- 1 60-27 Spacer Bushing



THE KETT TOOL COMPANY
5055 Madison Road · Cincinnati, Ohio 45227
(513) 271-0333